



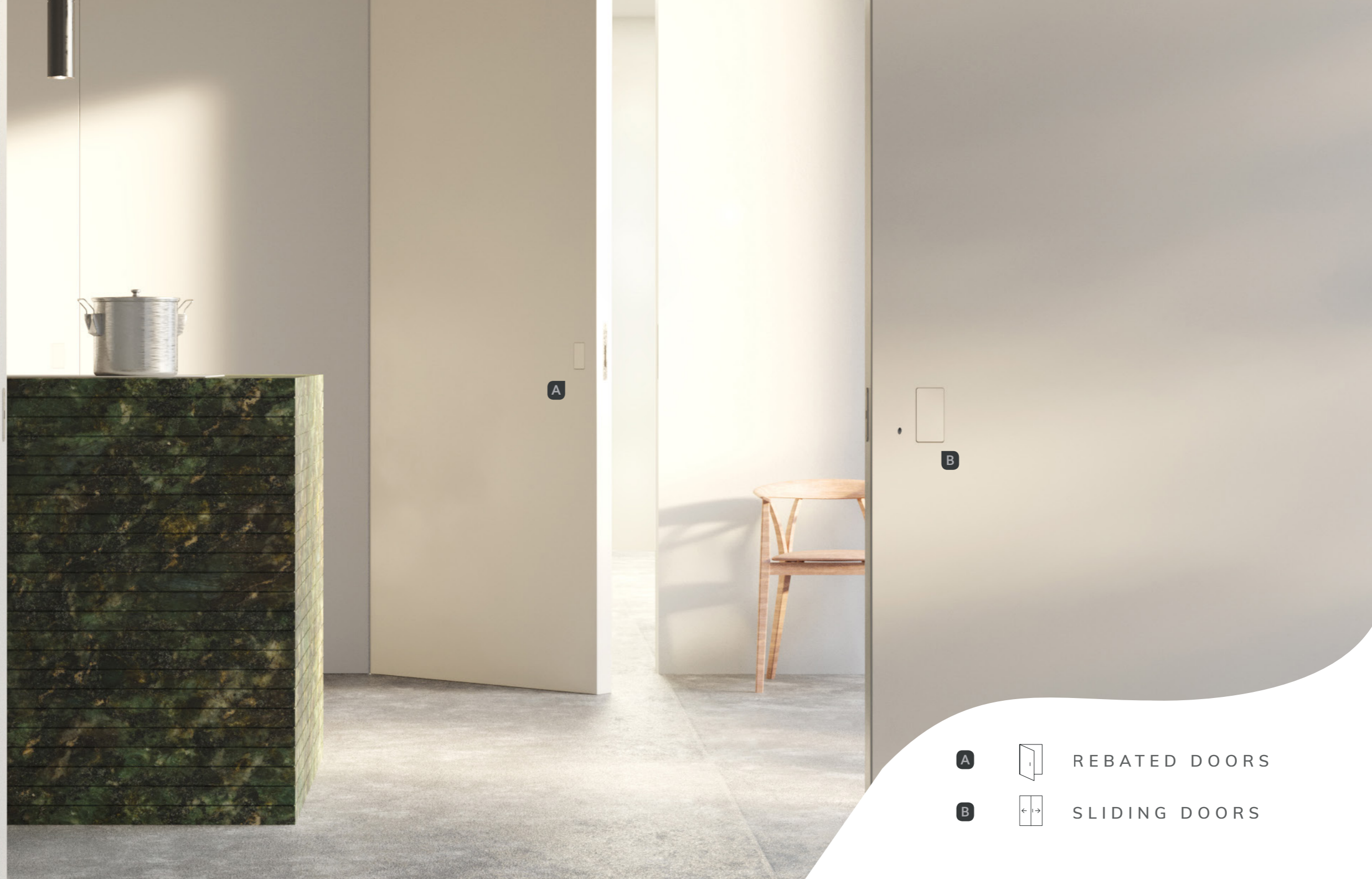
INVISIBLE



Every door has a hidden handle,
we just didn't see it.



Doors with lock



01

A



REBATED DOORS

B



SLIDING DOORS

REBATED DOORS

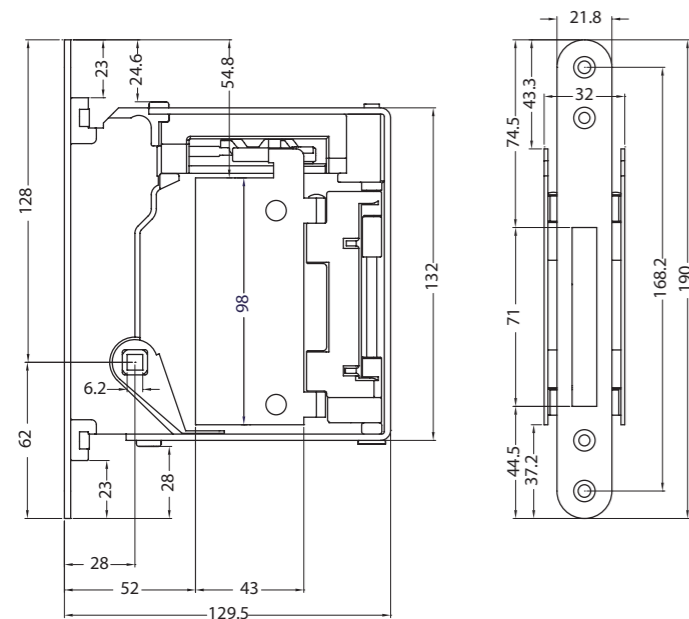


PATENTED

Mod. 937

B NO-HA MINI PRIVACY

DOOR THICKNESS (mm) 38 MIN \longleftrightarrow 48 MAX



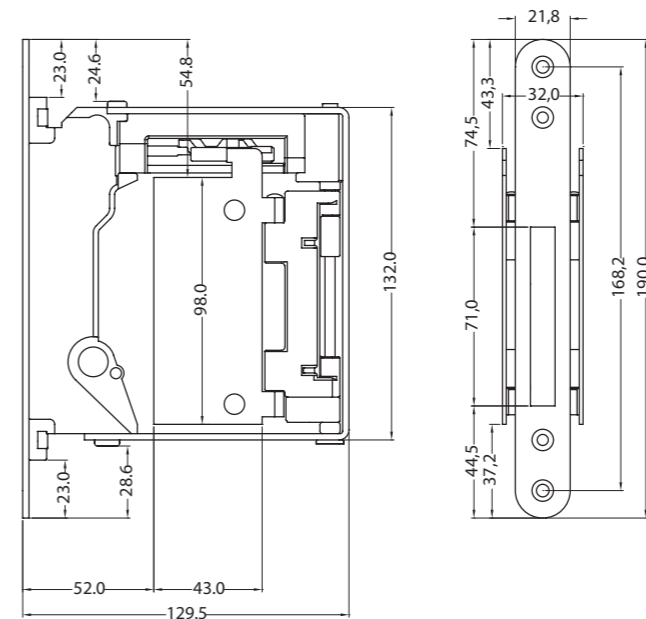
Material		
Brass		
Front plate		
height	width	thickness
190 mm	22 mm	2.5 mm
Maximum distance between leaf and frame		
6 mm		
Backset		
28 mm		

PATENTED

Mod. 938

B NO-HA MINI PASSAGE

DOOR THICKNESS (mm) 38 MIN \longleftrightarrow 48 MAX



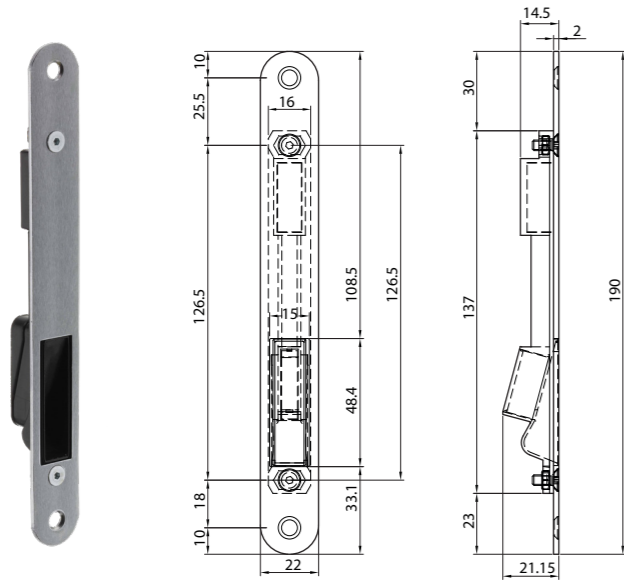
Material		
Brass		
Front plate		
height	width	thickness
190 mm	22 mm	2.5 mm
Maximum distance between leaf and frame		
6 mm		



ADJUSTABLE STRIKING PLATES



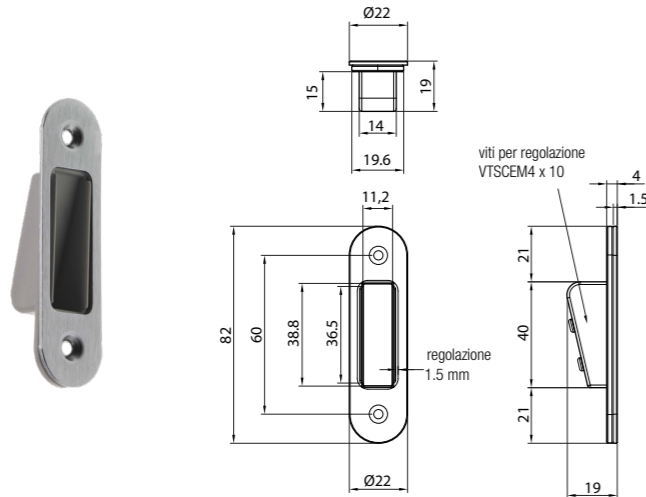
Mod.
G992



Material
Steel

Dimensions		
height	width	thickness
190 mm	22 mm	2 mm

Mod.
GR95



Material
Steel

Dimensions		
height	width	thickness
82 mm	22 mm	4 mm



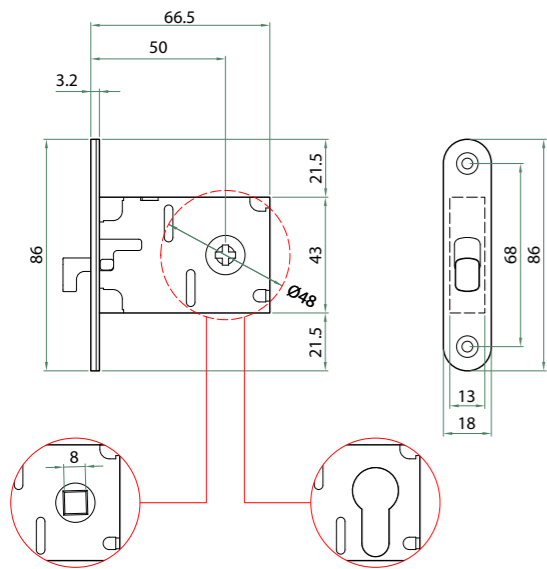
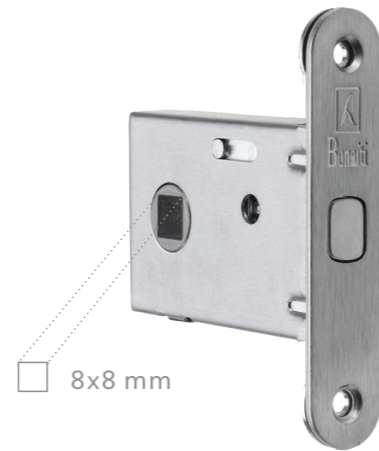
SLIDING DOORS



PATENTED

Mod.

G500 MINI

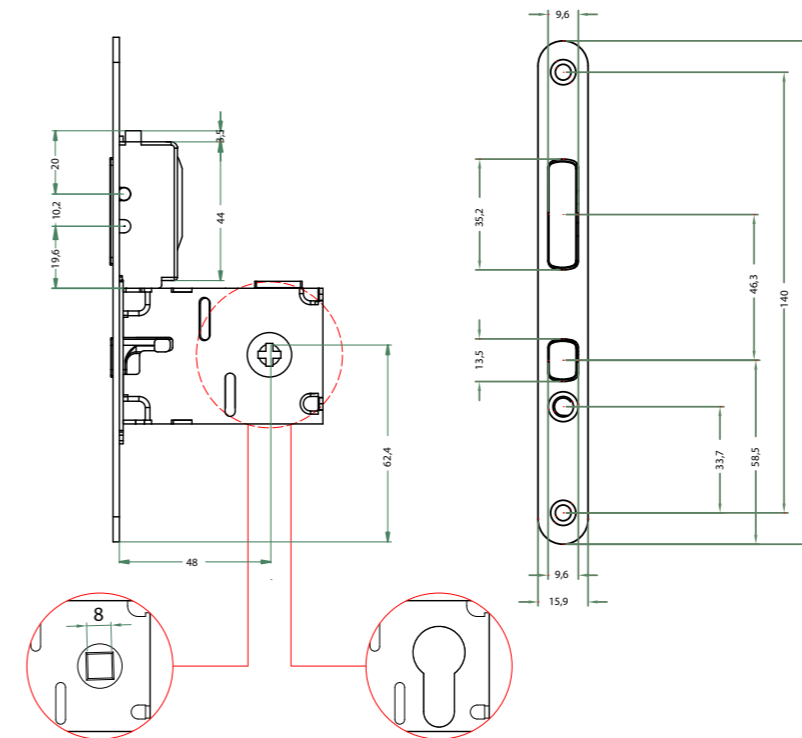


Material		
Steel		
Front plate		
height	width	thickness
86 mm	18 mm	3 mm
Backset		
50 mm		
Versions		
WC	BB	PZ

PATENTED

Mod.

G500T



Material		
Steel		
Front plate		
height	width	thickness
160 mm	16 mm	2 mm
Backset		
50 mm		
Versions		
WC	BB	PZ

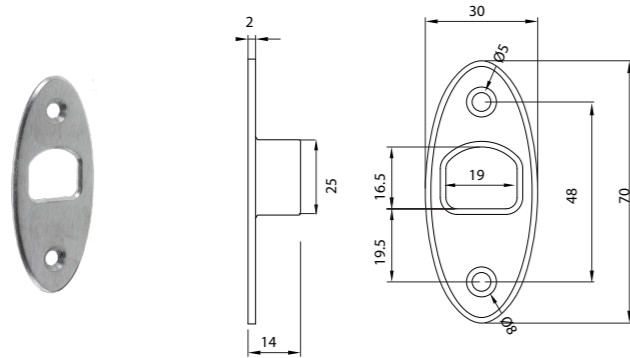


STRIKING PLATES



INCLUDED

Mod.
G 575



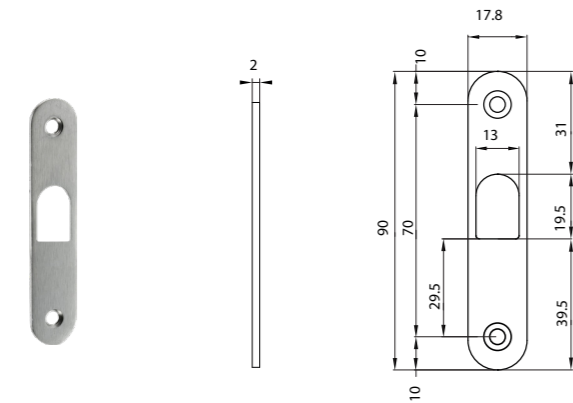
Material
Steel

Dimensions

height	width	thickness
70 mm	30 mm	2 mm

ON DEMAND

Mod.
G 573



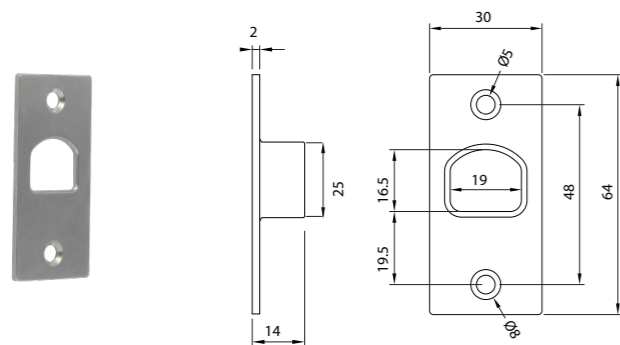
Material
Steel

Dimensions

height	width	thickness
90 mm	17,8 mm	2 mm

ON DEMAND

Mod.
G 574



Material
Steel

Dimensions

height	width	thickness
64 mm	30 mm	2 mm





Doors without lock
Double



02

A



DOUBLE

B



DOUBLE + B-MAG

DOUBLE



DOUBLE-SIDED LOCK

DOUBLE

Double is the concealed 'handle' system for both sliding and pocket doors. Identical in appearance to the B NO-HA mini system for rebated doors, it allows different kinds of doors to have the same design.



MAGNETIC LOCK

DOUBLE + B-MAG

The B-MAG device can be used to close rebated or sliding doors in passage mode, with the best aesthetic and functional result. The use of neodymium magnets ensures a particularly stable closure in all conditions.

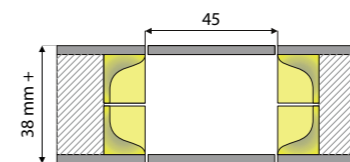


FOR REBATED AND SLIDING DOORS



Mod.

200

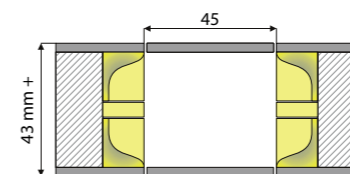


DOOR THICKNESS (mm)



Mod.

205

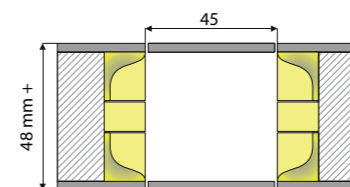


DOOR THICKNESS (mm)

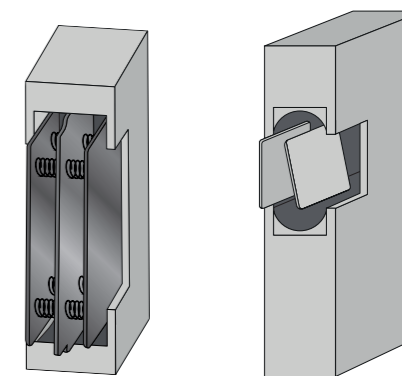


Mod.

210



DOOR THICKNESS (mm)



Download the technical B-MAG specifications from our website www.bonaiti.it, and check out the different versions available, also interchangeable with our magnetic and mechanical locks in the case of predrilled panels, or customised installations for even better-looking doors.





Single

03



A

B

A



WARDROBES

B



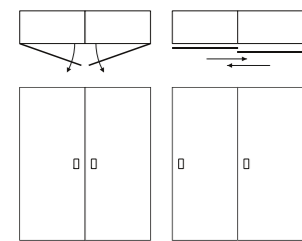
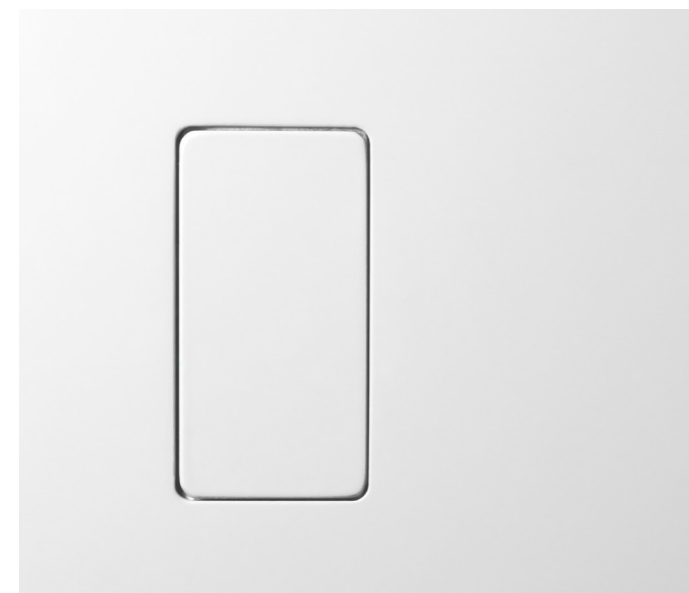
DRAWERS

SINGLE



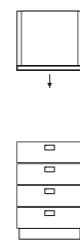
WARDROBES

Single is the concealed "handle" system for wardrobe doors and door systems that are closed from one side only.



DRAWERS

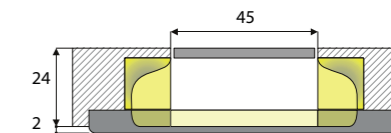
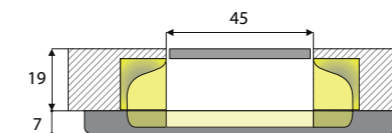
Single is the concealed 'handle' system for drawers.



WITH COVER FOR REAR SIDE

Mod.

250



DOOR THICKNESS (mm)

19 MIN

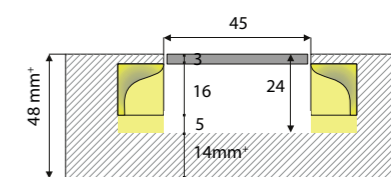
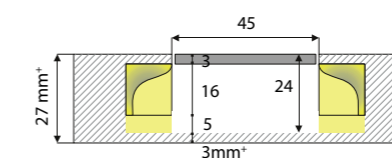


24 MAX

FOR UNDRILLED SIDES

Mod.

105

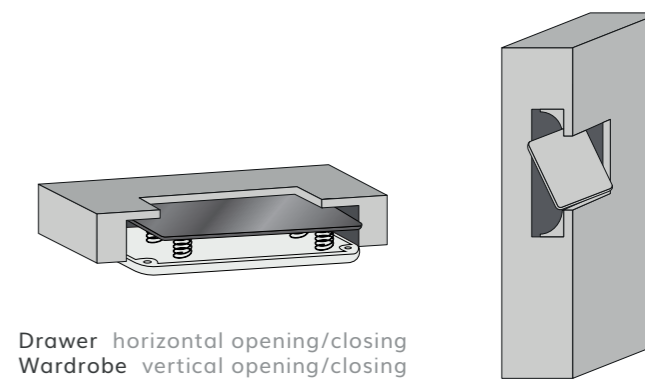


DOOR THICKNESS (mm)

27 MIN



48 MAX



Drawer horizontal opening/closing
Wardrobe vertical opening/closing





Accessories on demand



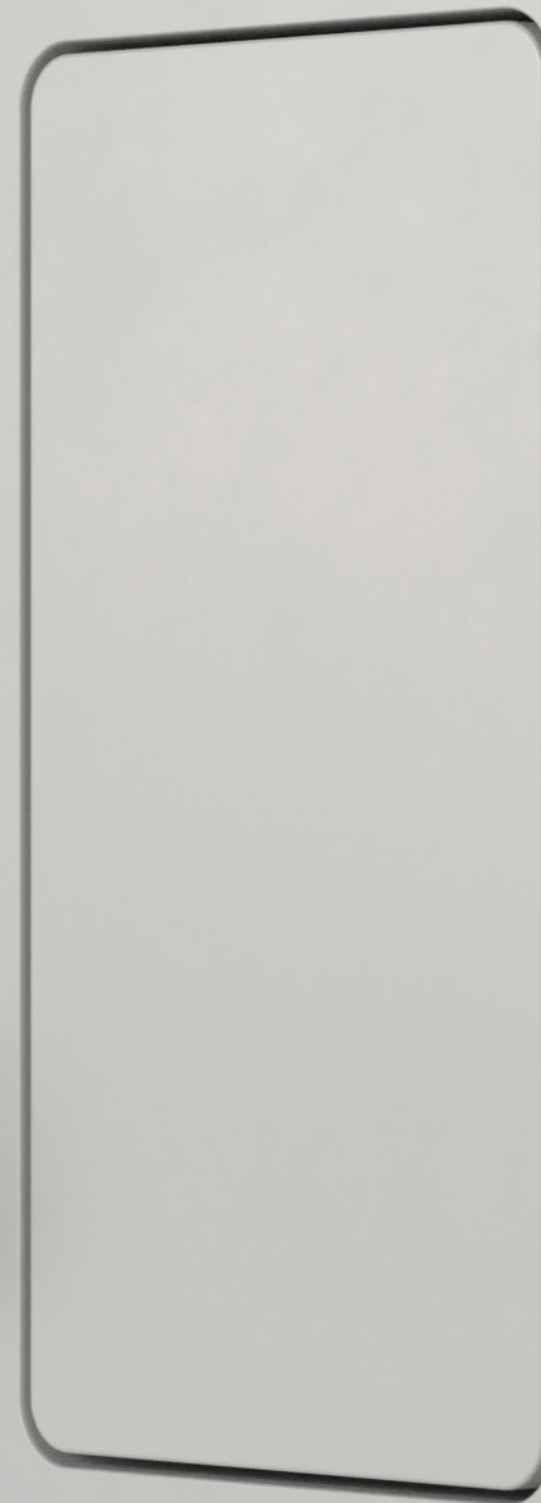
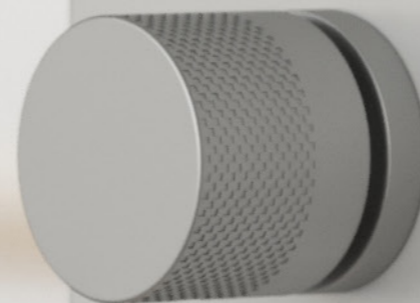
COVER



KNOBS



SPECIAL
TOOL

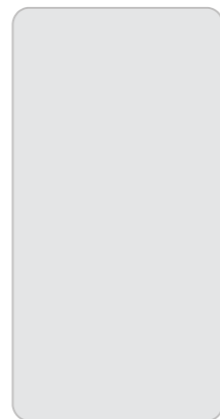


COVER

Cover

INVISIBLE

The Cover is designed to perfectly match our B NO-HA mini systems, G500 mini and any kind of door having the thickness indicated. Shapes and colours can be customised by the customer.



Mod.

METAL



Mod.

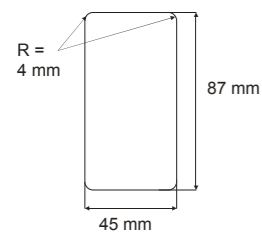
MDF



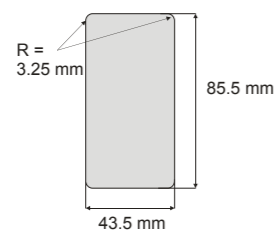
Our metal covers are available in satin stainless steel.

The MDF versions are supplied in a neutral colour ready to paint so that the design of the door matches the finishing of the front plates or door panel used.

hollow
dimensions



cover
dimensions



FEATURES

Material

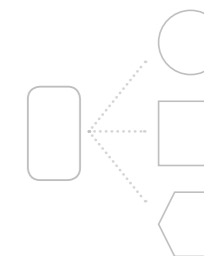
Stainless steel, MDF

Standard dimensions

height	width	thickness
85,5 mm	43,5 mm	3 mm

+ Colour and shape customisation

Standard Bonaiti shape and colours are described above. Clients are free to customise their own colours and shape with their carpenter.



KNOBS FOR PRIVACY VERSION



FOR B NO-HA MINI PRIVACY LOCK

UNDRILLED

The Cartel doorknob has been specifically developed for B NO-HA mini locks to keep the door looking as minimal as possible.

This product is made from materials designed not to interfere in any way with the correct functioning of the magnetic mechanism that controls the locking system.

Mod.

PH 1



FOR G500 MINI WC LOCK AND B NO-HA MINI PRIVACY LOCK

WITH EMERGENCY SCREW

A normal pass-through knob without rosette and with emergency screw can be fitted to the outside of the door and a knob to the inside for the B NO-HA mini and G500 mini privacy version.

Mod.

3 0 2



Mod.

3 1 0



Mod.

3 1 5



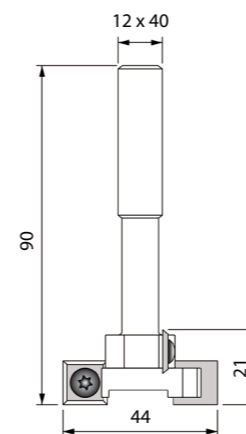
TOOL



Mod.

SPECIAL TOOL

The 44 mm diameter special tool is the ideal machining tool for drilling out the doors to fit the various B NO-HA mini, Single and Double systems. In a single step, this tool drills out the mortice on the door panel for correct insertion of all the B NO-HA mini systems.



Material
Steel

Dimensions

height 90 mm
diameter \varnothing 44 mm



FINISHING



polished chrome



satin nickel



varnished bronze



matt chrome



polished brass



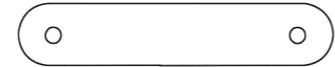
matt black



satin chrome



polished antique bronze



on demand



polished nickel



matt antique bronze





Bonaiti Serrature SpA

23801 Calolziocorte (LC) - via F.lli Bonacina, 20 ITALY

Tel. +39 0341.631500 - Fax +39 0341.631440 - bonaiti@bonaiti.it - www.bonaiti.it